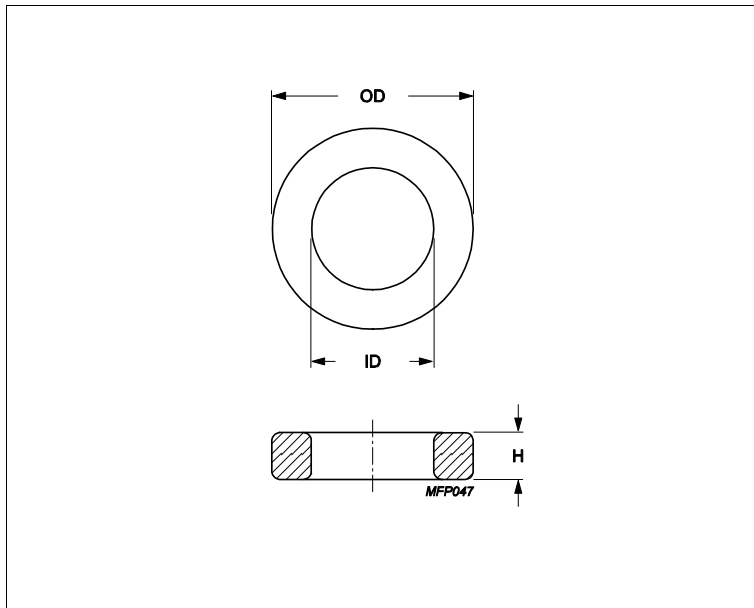


Core **Toroid 36/23/15**



Effective parameters			
	Parameter	Value	Unit
$\Sigma(I/A)$	core factor (C1)	0.919	mm ⁻¹
Ve	effective volume	8740	mm ³
Le	effective length	89.7	mm
Ae	effective area	97.5	mm ²
m	mass of core	≈ 40	g/pcs

Epoxy coating DC isolation voltage 200.

Maximum operating temperature of the coating is 200°C.

Dimensions (mm)

Cores	OD	ID	H	
TX36/23/15	37.15 max	22.05 min	16 max	Epoxy Coated

Core data

Cores	Material	Al (nH/turns ²)	Al tolerance	$\mu\epsilon$
TX36/23/15	3C94	3110	± 25%	≈ 2300
TX36/23/15	3E10	13500	± 20%	≈ 10000
TX36/23/15	3E12	16200	± 30%	≈ 12000
TX36/23/15	3E26 (3E27-M7)	9450	± 25%	≈ 7000
TX36/23/15	3E27	7430	± 25%	≈ 5500
TX36/23/15	3E6 (3E10-M)	13500	± 30%	≈ 10000
TX36/23/15	3E65	7020	± 25%	≈ 5200