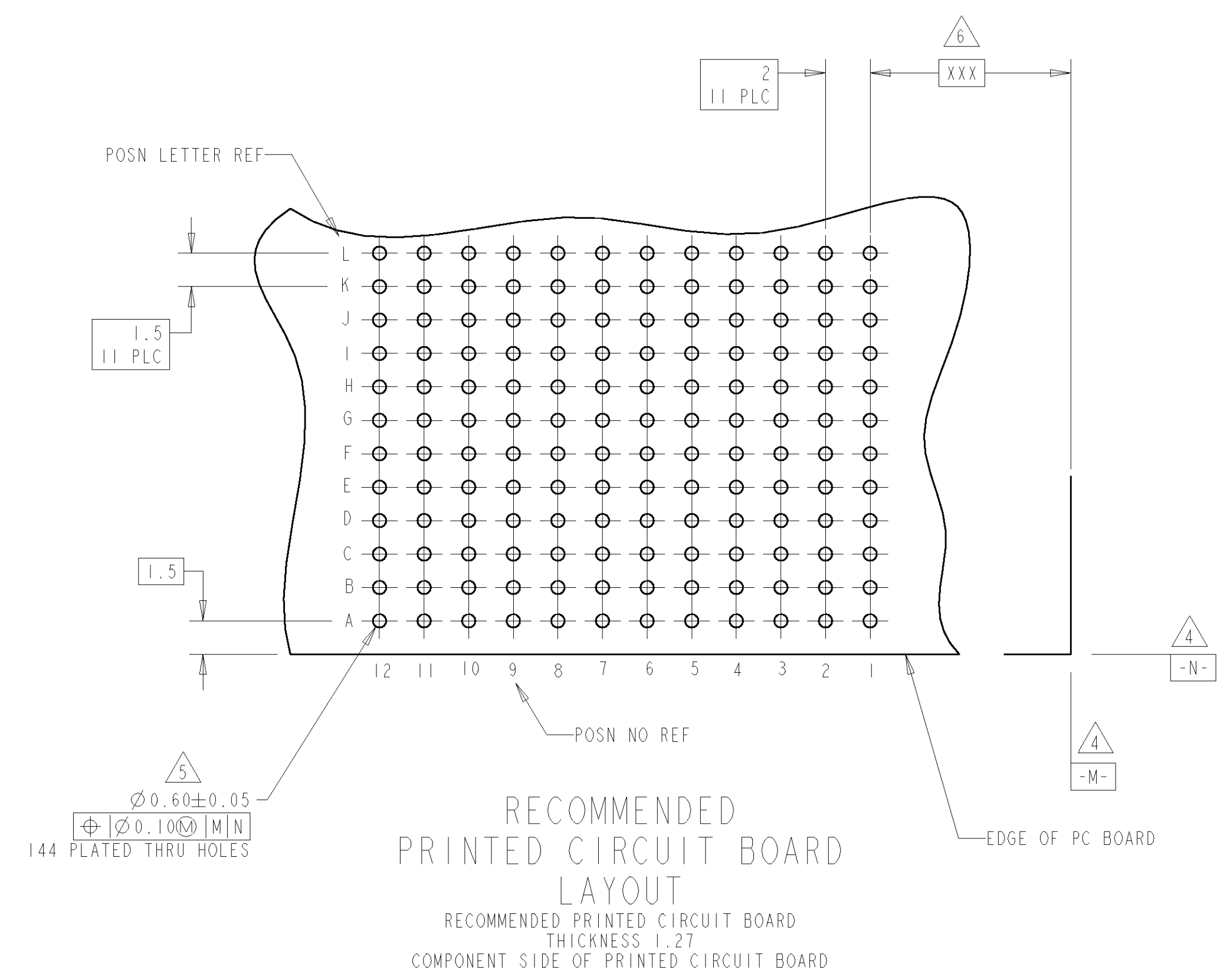
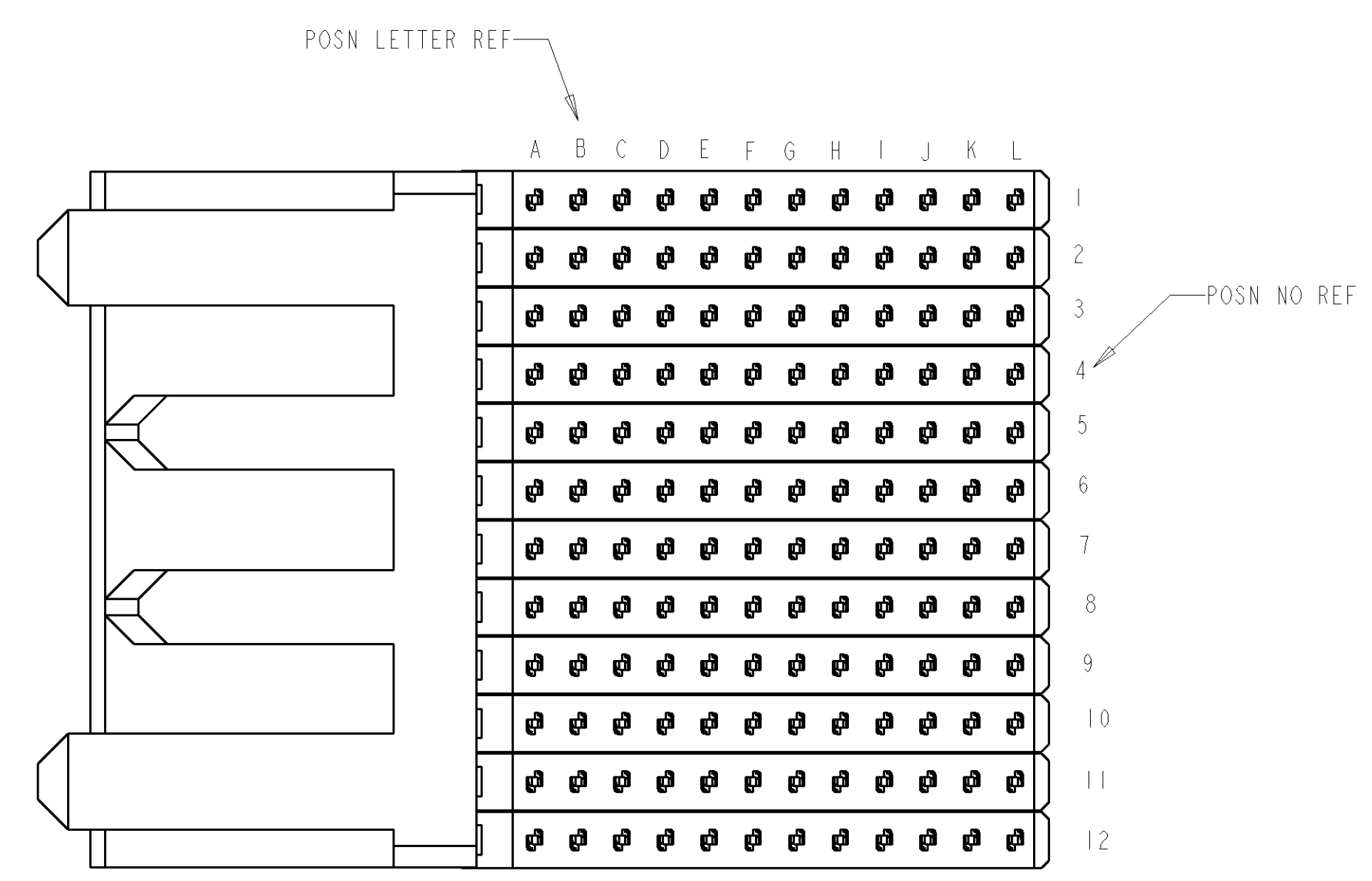
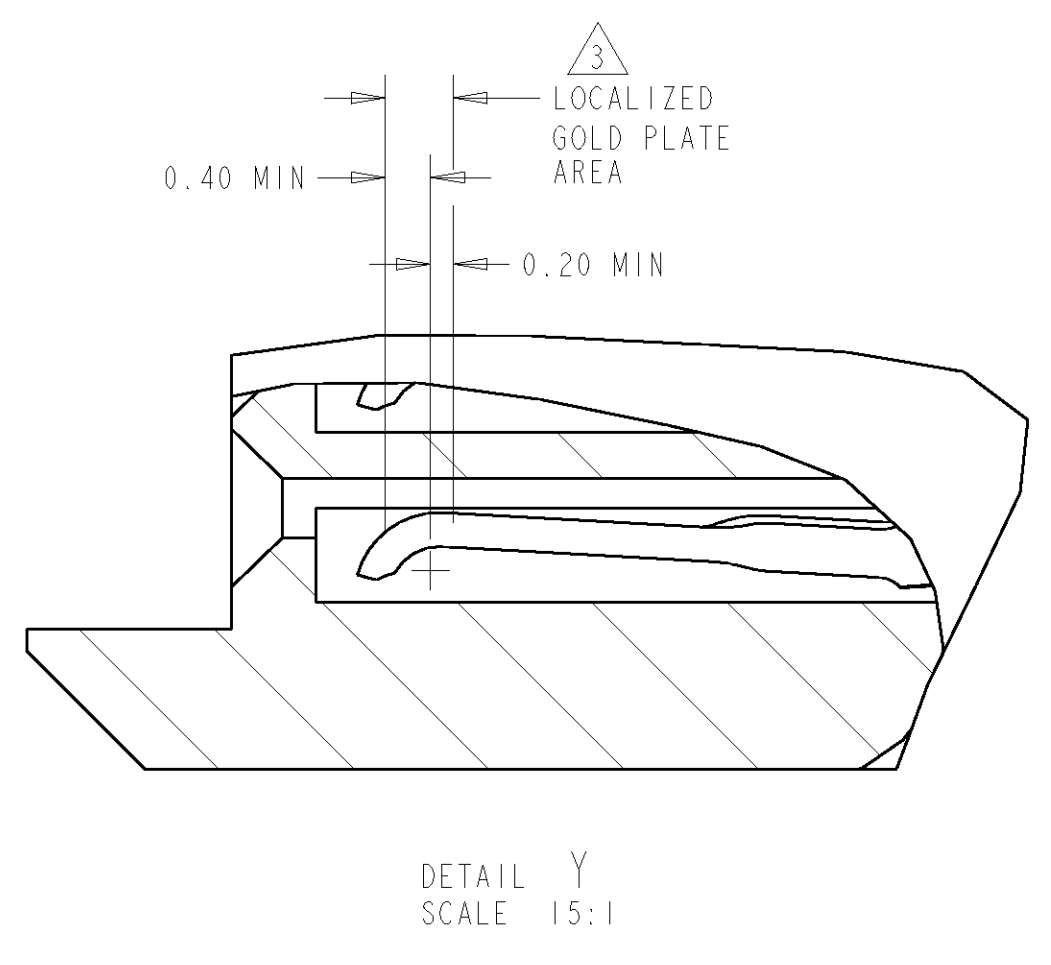
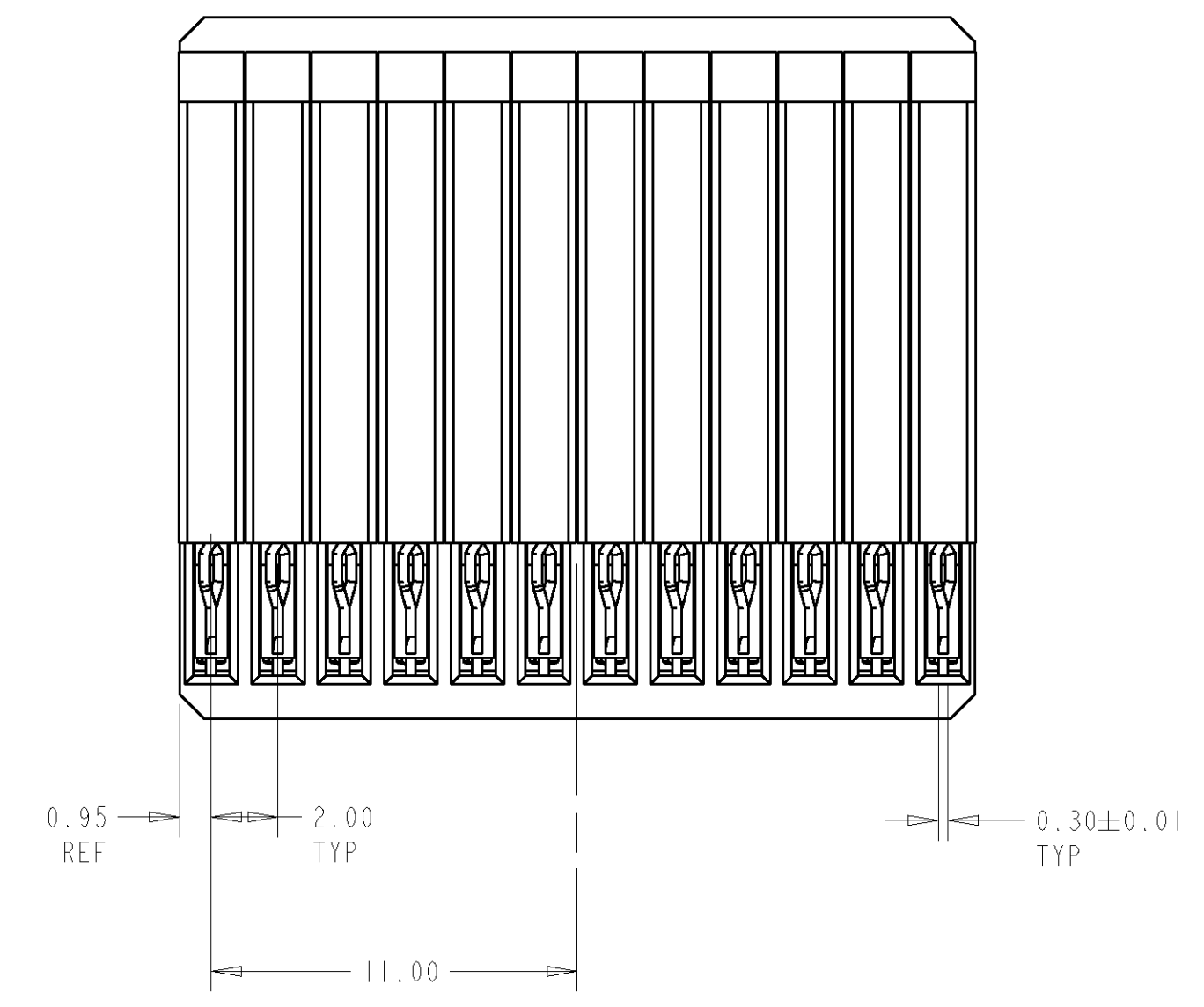
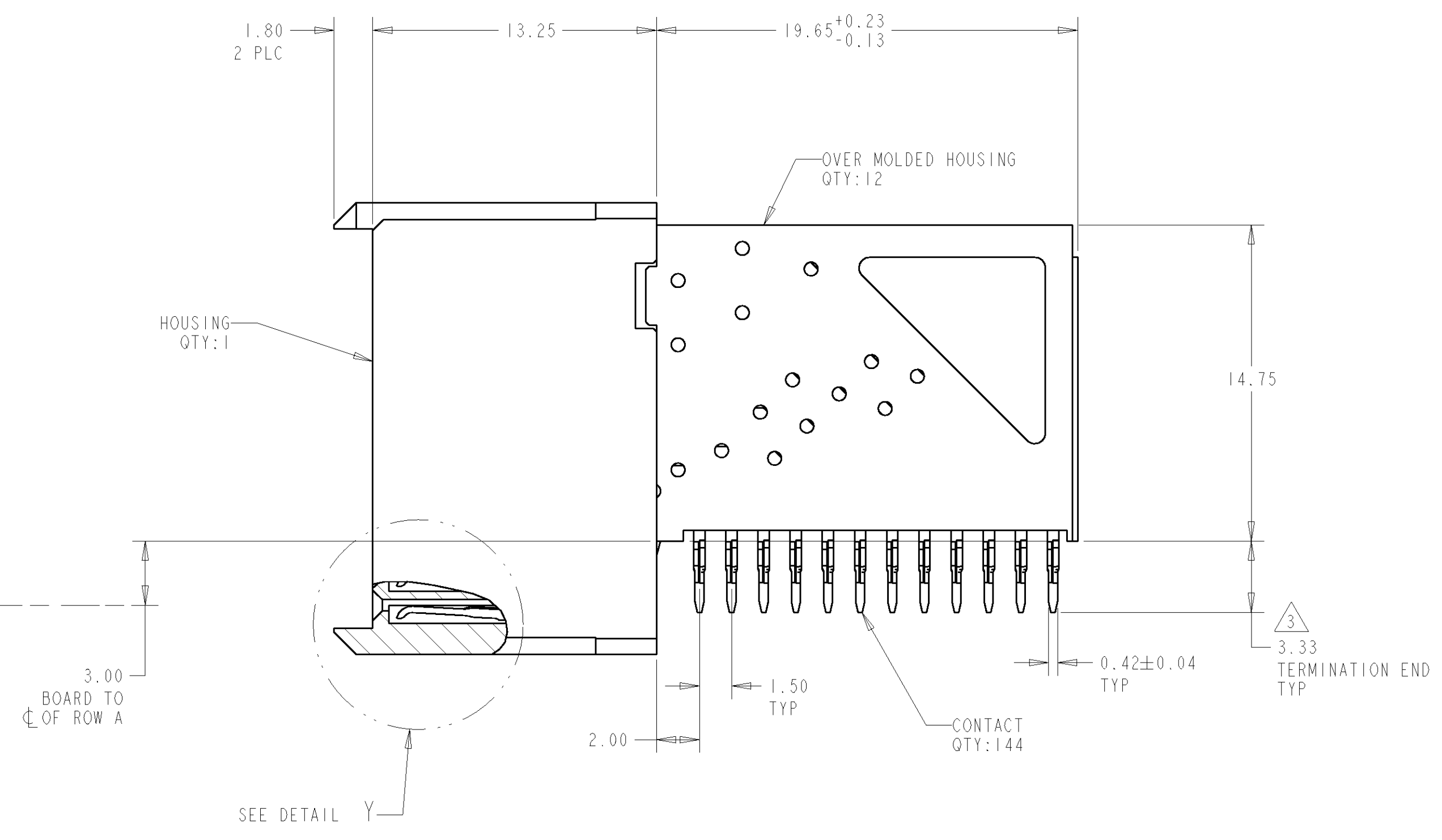
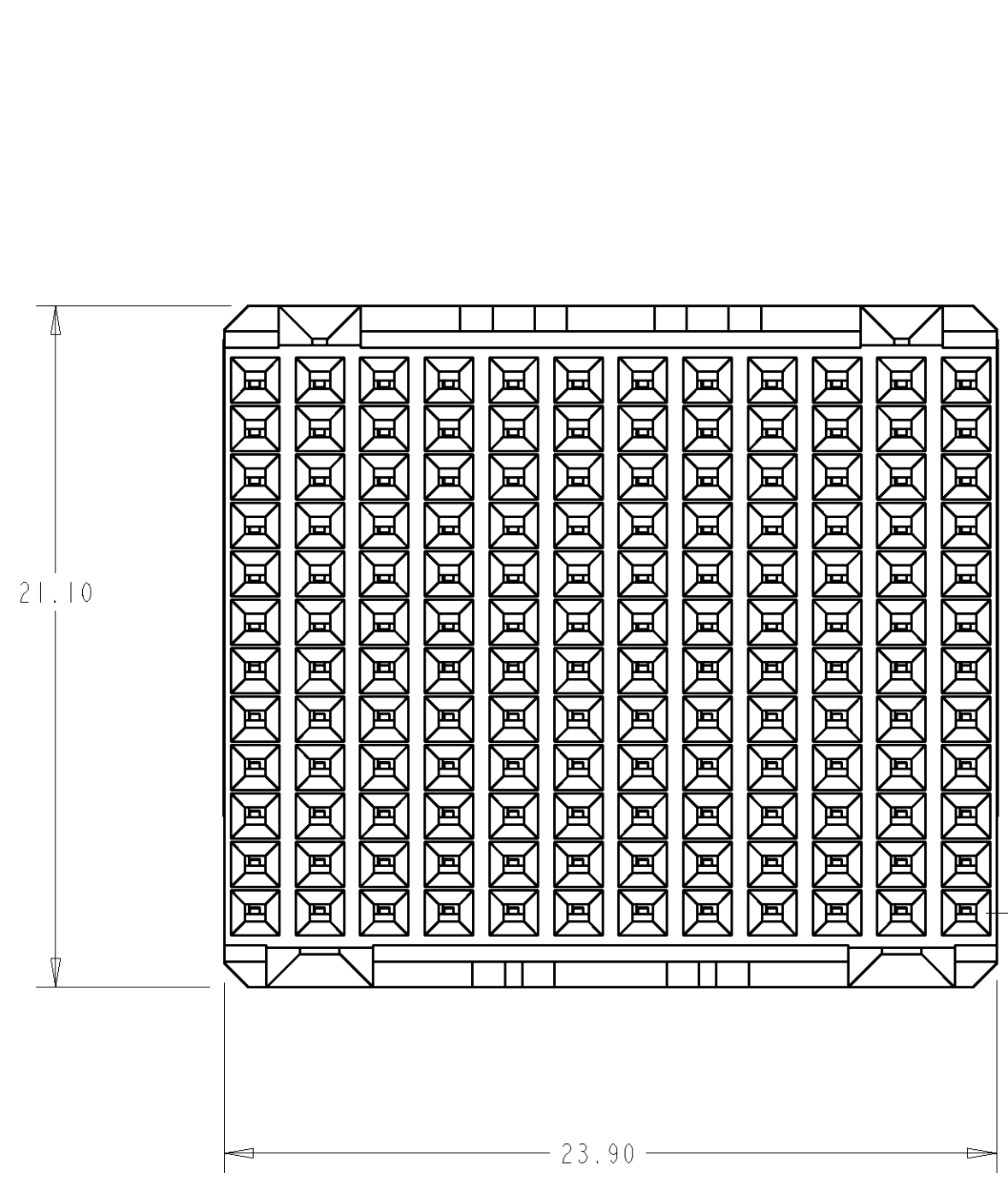


LOC	DIST	REV	DATE	BY	CHKD
AD	00	0	01JUN2005	BC	GS
		A	13DEC2005	BC	GS



- 1 GLASS FILLED POLYESTER, BLACK
- 2 PHOSPHOR BRONZE
- 3 CONFORMS TO ALL TESTING ACCORDING TO IEC 61076-4-101 PERFORMANCE LEVEL 2.
- 4 DATUMS ESTABLISHED BY CUSTOMER.
- 5 DRILLED HOLE DIAMETER 0.700±0.025  
COPPER THK 0.025-0.05  
TIN THICKNESS 0.004-0.01
- 6 DIMENSION ESTABLISHED BY CUSTOMER.
- 7 GENERAL PLATING SPECIFICATION: UNDERPLATING (ENTIRE CONTACT): 1.27µm MIN NICKEL AND ACTION PIN: 0.5µm MIN TIN.  
FOR PLATING OF MATING SURFACES SEE APPLICABLE SPECIFICATION REFERENCE FOR EACH DASH NUMBER.

DIMENSIONS: mm 		TOLERANCES UNLESS OTHERWISE SPECIFIED: 0 PLC ± 1 PLC ± 2 PLC ±0.13 3 PLC ± 4 PLC ± ANGLES ± FINISH ±		DWN: B CARBO 01JUN2005 CHK: G SKIPPER 01JUN2005 APVD: G SKIPPER 01JUN2005		<b>tyco</b> Tyco Electronics Harrisburg, PA 17105-3608	
MATERIAL: HOUSING: 1 CONTACTS: 2		WEIGHT: - CUSTOMER DRAWING		NAME: RECEPTACLE ASSEMBLY, 144 POSITION, 12 ROW, Z-PACK HM		SIZE: A1 CAGE CODE: 00779 DRAWING NO: C=5120637	
SCALE: 5:1				SHEET: 1 OF 1		REV: A	