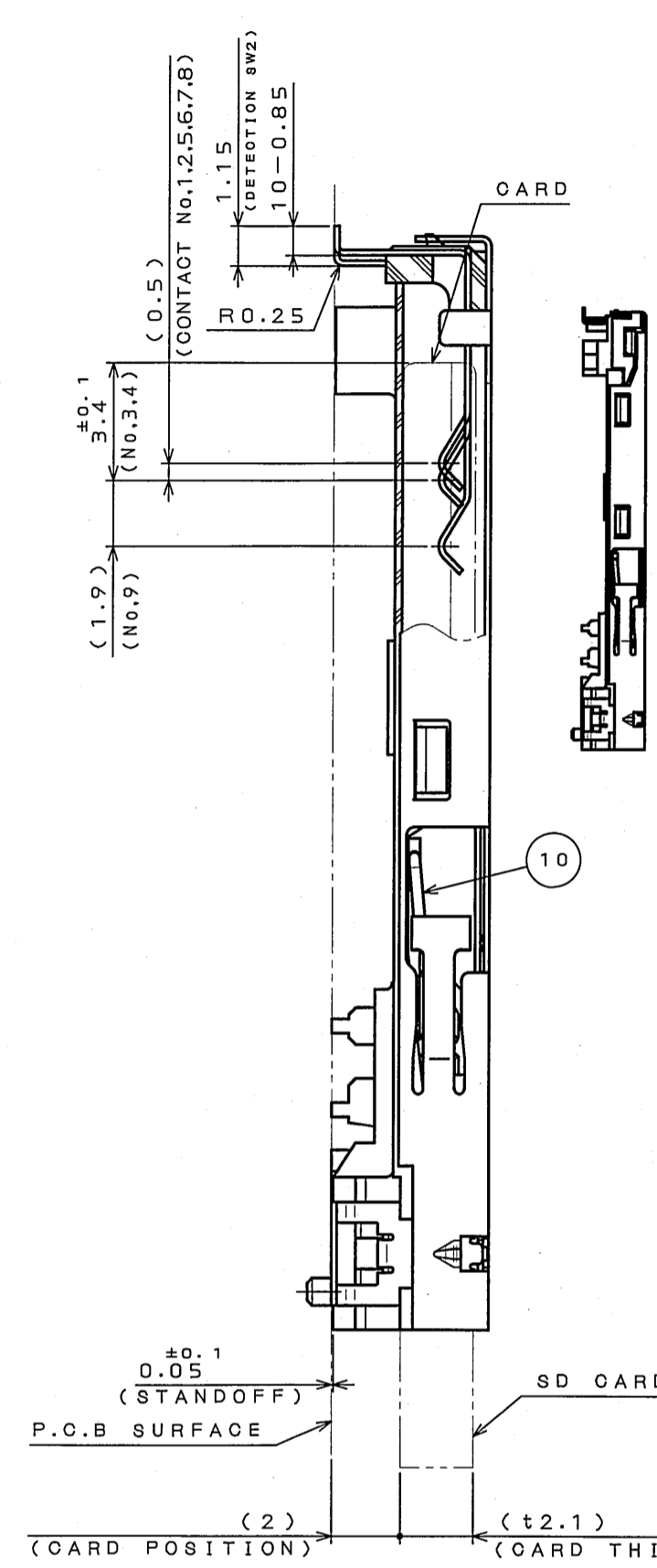


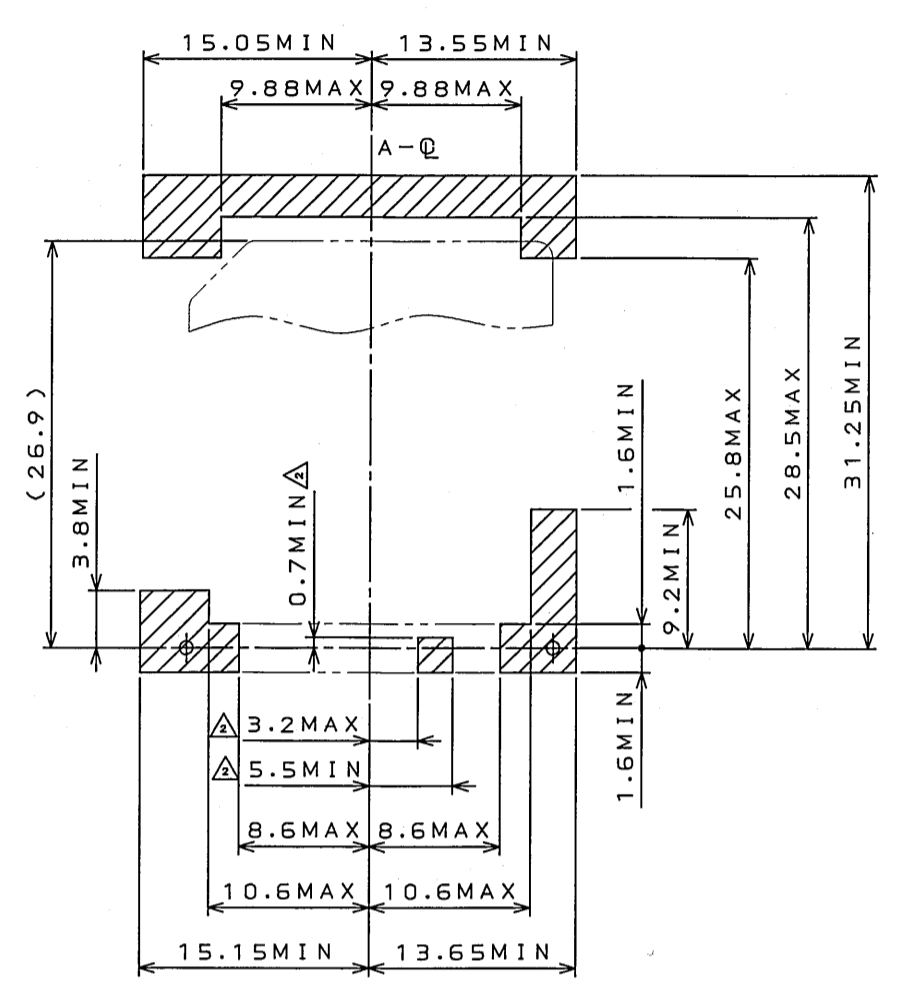
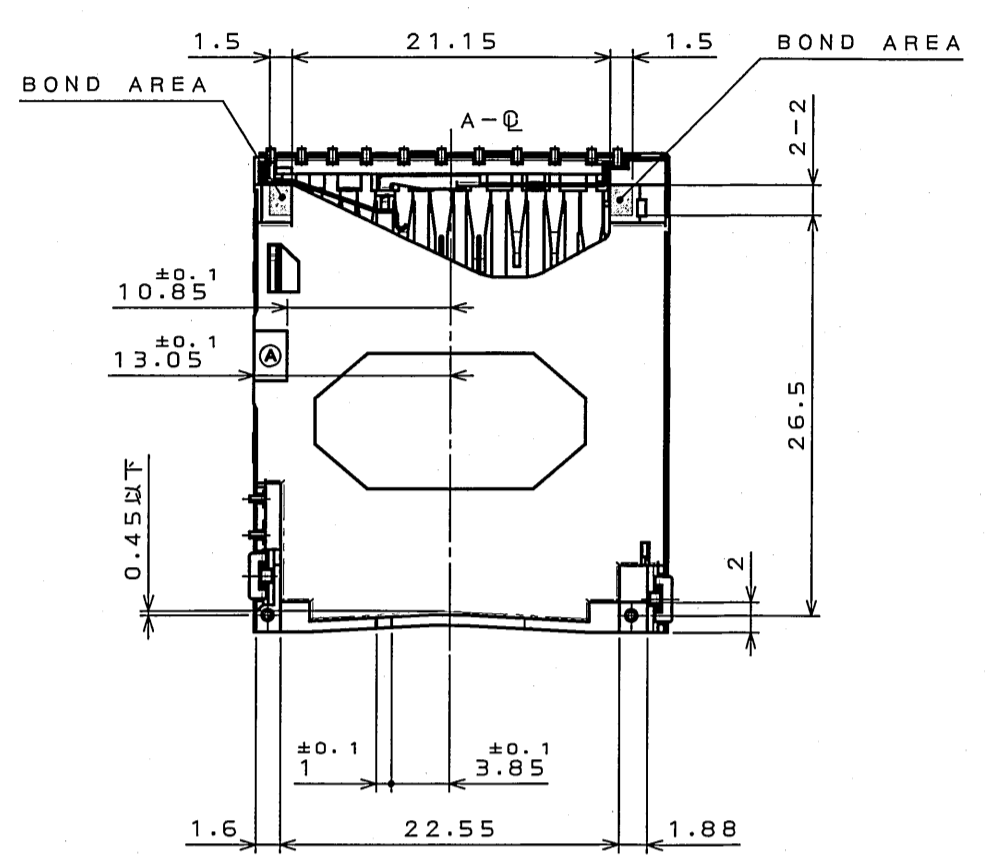
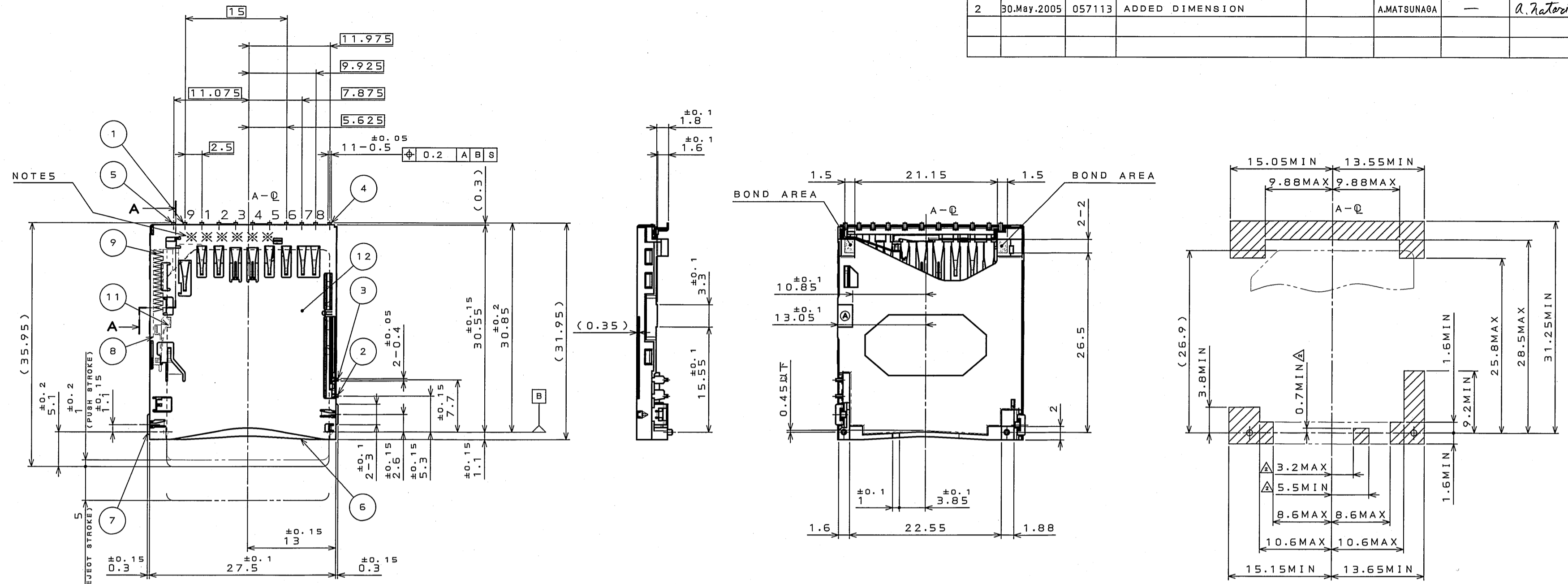
版数 REV.	年月日 DATE	図番 NO.	変更内容 DESCRIPTION	製図 DR.	担当 CHK.	査閲 APPD.	承認 APPD.
2	30.May.2005	057113	ADDED DIMENSION		A.MATSUNAGA		A.Natori



SECT. A-A  
(SCALE 5:1)

NOTES

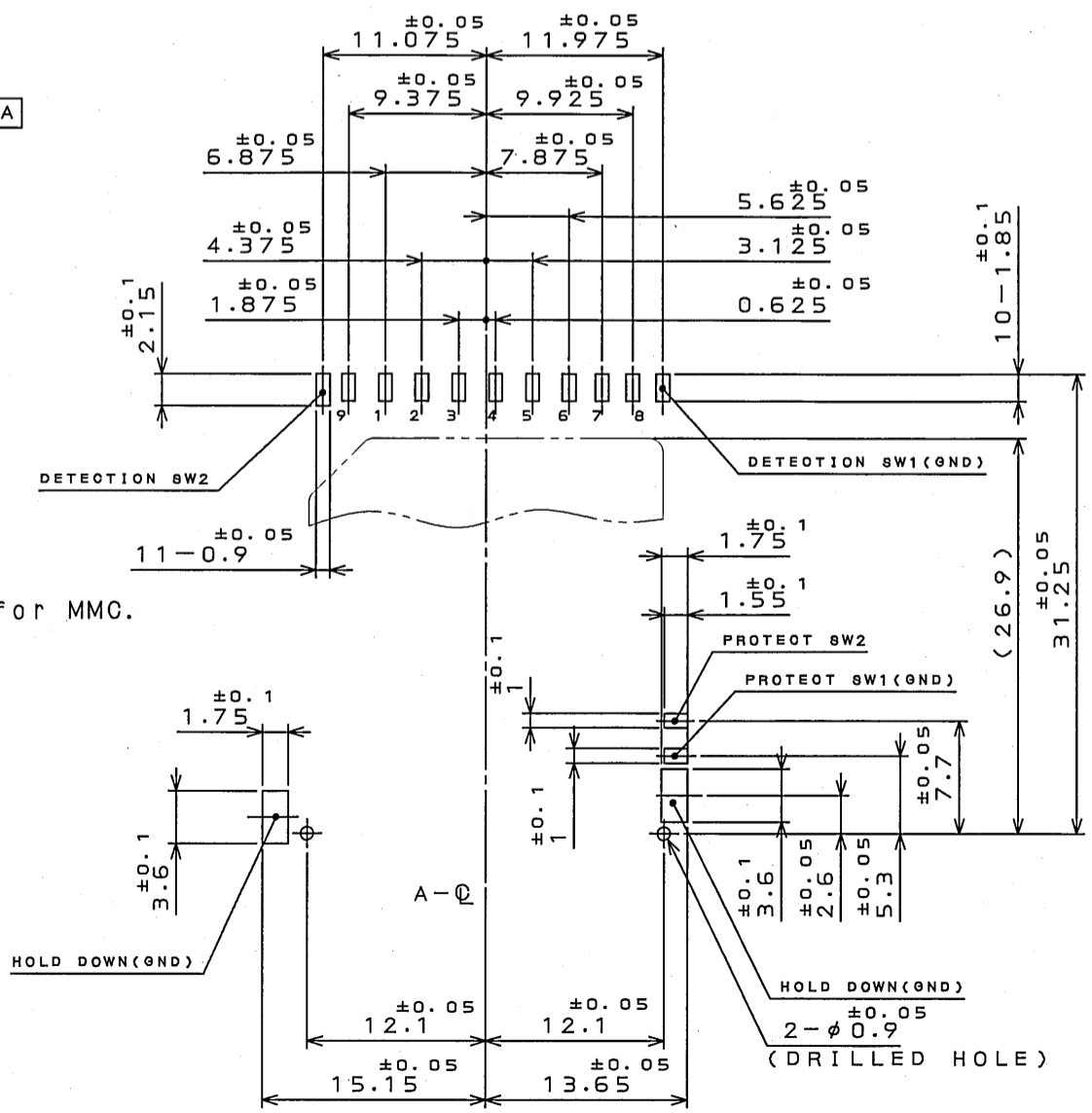
NOTE1. Card locking function is available for inserted SD card only but not for MMC.  
 注1.カードロック機能は、SDカードのみの対応と致します。(MMCでは作動しません)  
 NOTE2. The thickness of reinforcement board is 0.5MIN. when the product will mount on FPC.  
 注2.FPC搭載時の補強板厚は0.6以上とする。  
 NOTE3. CIRCUIT (TABLE.1) (REFERENCE)  
 注3.回路図(表1)(参考)  
 NOTE4. This dimension show the position of protect switch2 for hold down when connector was put on a surface plate.  
 注4.コネクタを定盤に置いた時のホルルト'タ'ウンに対する'プロテクトスイッチ2'の位置を示す。  
 NOTE5. Product lot number is as indicated.  
 ロット番号を表示する。  
 (EX.) C38121 (PRODUCTION LINE No.)  
 MONTH (1 TO 9 FOR JAN. TO SEPT. RESPECTIVELY OCT.:O. NOV.:X. DEC.:Y)  
 YEAR (LAST DIGIT ONLY)  
 MANUFACTURER CODE



(NO PATTERNS IN THIS AREA)  
部品搭載不可領域

TABLE1. CIRCUIT (REF.)

	WITHOUT CARD	CARD INSERTED	
		WRITE PROTECT: LOCK	WRITE PROTECT: UNLOCK
PROTECT SWITCH	(2) - (3) ↓ GND	(2) - (3) ↓ GND	(2) - (3) ↓ GND
DETECTION SWITCH	(4) - (5) ↓ GND	(4) - (5) ↓ GND	(4) - (5) ↓ GND



APPLICABLE P.C.B. DIMENSION (REF.)  
適合基板寸法(参考)

品番	数量	材料	仕上	備考
12 COVER FRAME	1	STAINLESS STEEL		
11 CARD LOCK	1	STAINLESS STEEL		
10 CAM FOLLOWER	1	STAINLESS STEEL		
9 SPRING	1	PIANO WIRE	ZINC PLATING	
8 EJECT BAR	1	GLASS FILLED Ny		UL94 V-0
7 HOLD DOWN	2	COPPER ALLOY	GOLD FLASH OVER NICKEL	t0.15 ±0.03
6 HOUSING	1	GLASS FILLED LCP		UL94 V-0
5 DETECTION SWITCH2	1	COPPER ALLOY	CONTACTING AREA: GOLD OVER NICKEL TERMINAL AREA: GOLD FLASH OVER NICKEL	t0.15 ±0.03
4 DETECTION SWITCH1	1	COPPER ALLOY	CONTACTING AREA: GOLD OVER NICKEL TERMINAL AREA: GOLD FLASH OVER NICKEL	t0.15 ±0.03
3 PROTECT SWITCH2	1	COPPER ALLOY	CONTACTING AREA: GOLD OVER NICKEL TERMINAL AREA: GOLD FLASH OVER NICKEL	t0.15 ±0.03
2 PROTECT SWITCH1	1	COPPER ALLOY	CONTACTING AREA: GOLD OVER NICKEL TERMINAL AREA: GOLD FLASH OVER NICKEL	t0.15 ±0.03
1 CONTACT	9	COPPER ALLOY	CONTACTING AREA: GOLD OVER NICKEL TERMINAL AREA: GOLD FLASH OVER NICKEL	t0.15 ±0.03

符号 No.	名称 DESCRIPTION	個数 QTY.	材料 MATERIAL	仕上 FINISH	備考 REMARKS
JACS-1758	JAH1-10101				
仕様書 (SPECIFICATION)		第1版 (ORIGINAL DATE)		版数 (SCALE) シリーズ (SERIES)	
公差 (GENERAL TOLERANCE)		担当 DR.		名称 (TITLE)	
寸法 (DIMENSION)		担当 CHK.		図面番号 (DRAWING NO.)	
角度 (ANGLES)		承認 APPD.		数量 (MASS)	
		承認 APPD.		製図 DR.	
		承認 APPD.		承認 APPD.	
		承認 APPD.		承認 APPD.	
		承認 APPD.		承認 APPD.	
		承認 APPD.		承認 APPD.	
		承認 APPD.		承認 APPD.	
		承認 APPD.		承認 APPD.	
		承認 APPD.		承認 APPD.	
		承認 APPD.		承認 APPD.	
		承認 APPD.		承認 APPD.	