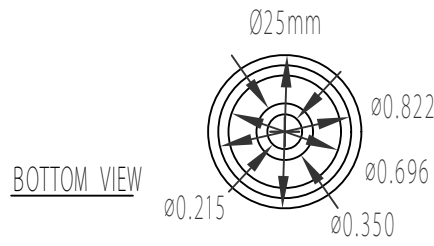
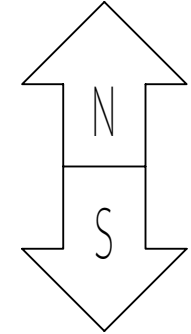
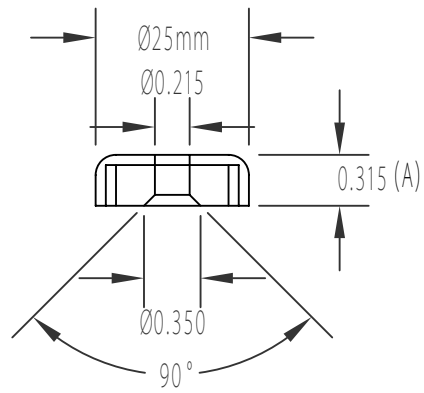
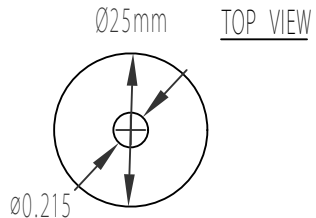


REVISIONS			
LTR	DESCRIPTION	DATE	APPROVED
-	INITIAL RELEASE		H D



UNLESS OTHERWISE SPECIFIED
DIMENSIONS ARE IN INCHES

TOLERANCES:
FRACTIONS: ±1/64
DECIMALS: ±.015
ANGLES: ±1°

MATERIAL: NdFeB
FINISH: NiCuNi

RADIAL MAGNET INC.			
108B NW 20th St. BOCA RATON, FL 33431 (561)392-2103			
SHAPE POT	STRENGTH N35	PLATING NICKEL PLATED	SIZE AND DIRECTION OF MAGNETIZATION(A) POT A25
SIZE A	ITEM # 8219	DRAWING # RM8219	REVISION -
SCALE 1:1	DRAWN: CG	CHECKED: HD	APPROVED: HD PAGE 1 OF 1

